

Channel Drains/Accessories

TD-300 Elevator Channel Drain

Model Number	Size	EDP Number	Grate	List Price
TD-324	24"	8189398	stainless steel	\$5,072.00
*TD-336	36"	8189211	stainless steel	7,608.00
*TD-342	42"	8189377	stainless steel	8,873.00
*TD-348	48"	8189779	stainless steel	10,013.00
*TD-360	60"	8189780	stainless steel	11,025.00
*TD-396	96"	8189375	stainless steel	20,,286.00
Special Order: Add Per Ft.				\$2,536..00

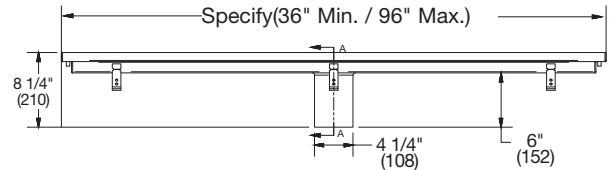
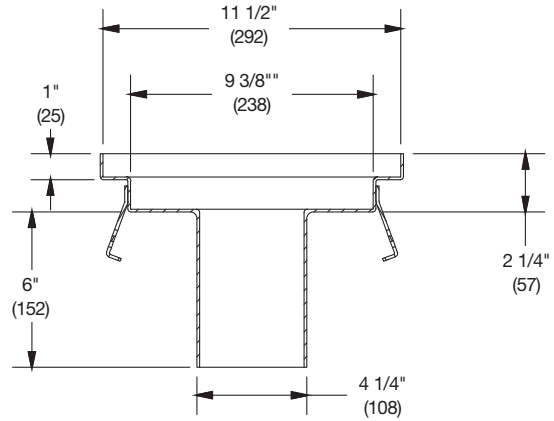
Note: October 2018 Launch



*Note: TD-300 is ANSI and ASME certified.

Options for TD-300:

Suffix	Description	List Price
-06	6"(152) No Hub Outlet	\$400.00
-XO	Specify Outlet Position	400.00



FD-Funnels Bolt-On Funnels

Model Number	EDP#	Size	Material	List Price
F4-50	8135668	4" Round	cast iron	\$179.00
F4-1	8135666	4" Round	nickel bronze	428.00
F4-3	8187293	4" Round	stainless steel	548.00
F6-1	8135671	6" Round	nickel bronze	625.00
G-50	8141444	4x9" Oval	cast iron	423.00
G-1	8141441	4x9" Oval	nickel bronze	872.00
G-3	8141443	4x9" Oval	stainless steel	1,089.00

